

# EA Control desks

KI.06.2012



Certified acc. to  
ISO 9001:2000



**ISO 9001**  
Akredytacja PCA



## EA Control desks

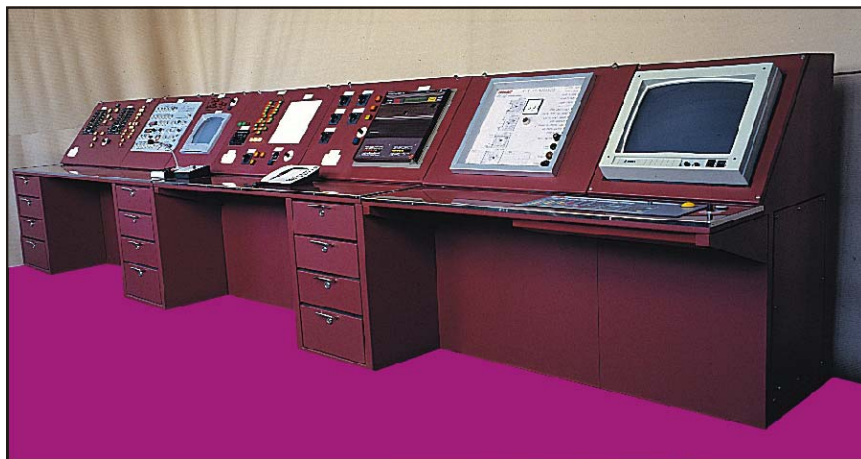
equipment with adequate measuring, controlling and signaling apparatus are used in control stations of technological equipment and in control stations on vessels.

Construction of console made of 2 mm thickness steel profile elements, of covers and doors ensures IP 22 protection degree.

Hinged horizontal cover, lower door, screwed down side shields and covering back shield enable convenient access to installed apparatus in console in case of their overhauls, replacement and repair.

EA Control desks are made in three basic types:

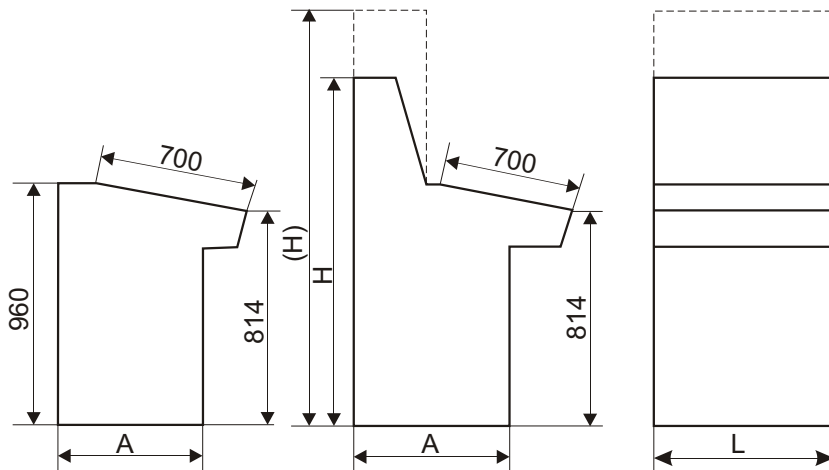
- low basic console ..... 12 forms
- console with skew level raiser ..... 60 forms
- console with straight level raiser .... 112 forms



L	500*, 600, 630, 800, 1000, 1200
A	510*, 630, 750, 830, 950, 1070
H	1200, 1480, (1800, 2040)

\* referring to low basic console

Apart from standard versions of EA control desks, as above, Elmor S.A. produces control desks with other dimensions and shapes according to the Client requirements.



# ELMOR S.A.

ul. Spadochroniarzy 20, 80-298 Gdańsk

TEL: +48 (58) 785-36-70, 763-44-88  
 +48 (58) 785-36-77, 762-93-64  
 FAX: +48 (58) 762-93-19  
 +48 (58) 785-36-79

e-mail: [elmor@elmor.com.pl](mailto:elmor@elmor.com.pl)

Website: <http://www.elmor.com.pl>

Management Board  
 Marketing Department  
 Management Board  
 Marketing Department